

HS-1920SC

2 Megapixel IP cam with 4G SIM card slot



Features

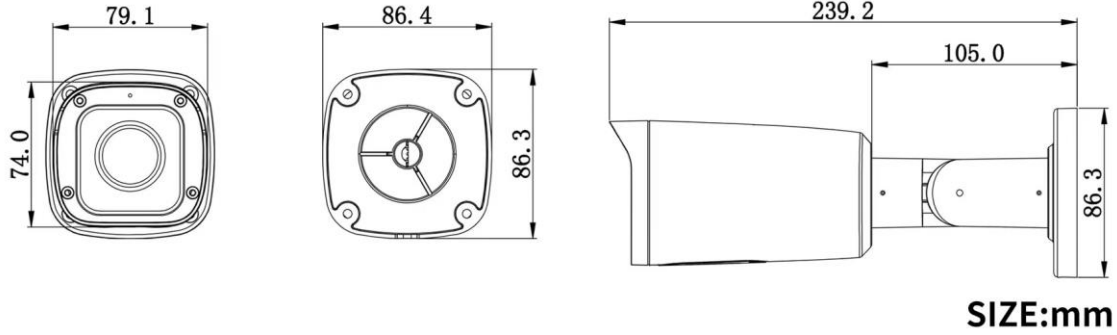
- 2 megapixel IR IP bullet camera at 1920*1080 / 30fps
- Support H.265 advanced image compression technology
- Built-in 4G module with SIM card slot
- 2-way voice communication
- Free App for smart phones
- IP66 weather-proof enclosure

Specifications

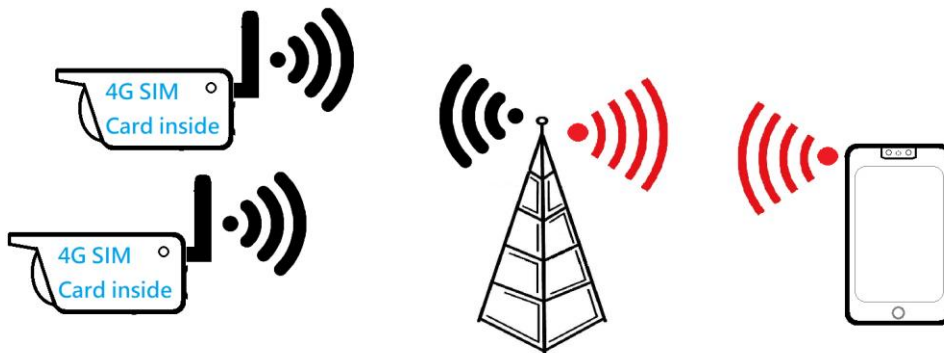
Camera	
Image sensor	1/2.8" Sony 307 CMOS Sensor
Resolution	1920 * 1080P @ 30FPS max. (50Hz/60Hz)
Frame rate:	30fps(2MP).MAX main stream 30fps (D1) .MAX sub stream
LENS	3.6mm fixed Lens
Day & Night	IR cut filter with auto switch
Day/Night switch	EXT/Day/Night/Auto/Time
Illumination for	1~5Lux

Hot Stuff Intl

Infrared Switching:	
IR range	8PCS LEDS//(IR: 30m) + (White Light :20m)
Image enhancement	BLC/3D DNR/D-WDR
Video	
Compression	H.265/H.264
Video Bit Rate:	512Kbps~3072Kbps(main stream H.265) 64kbps~512Kbps(sub stream H.265)
Motion detection	Detect & track
Audio	
Compression	G711U/G711A
Line IN/line OUT	Support 1CH
Volume adjust	Yes
Microphone	Built-in
Network	
Protocols	HTTP, TCP/IP, IPv4/v6, UPNP, RTSP, UDP, SMTP, NTP, DHCP, DNS, DDNS,IP Search(Support P2P, NVR, NVS etc.)
System Compatibility	ONVIF (17.2 with profile S)
Online Viewing	Max. 2 users simultaneously
4G module	Built-in, with 5dBi external antenna
Interface	
Communication	RJ45 10/100M Ethernet port *1 Nano SIM card slot *1 Micro TF card slot *1 (support up to 128GB)
Power plug	DC power plug, female
General	
Operation temp.	-10 °C ~ 60 °C Humidity 95% or less (non-condensing)
Power	DC 12V / 1.5A \pm 10% Power consumption: 8W
Dimensions	As shown below
Weight	Approx. 1.1kgs



Application Diagram



Anytime, anywhere

